

PL3757M

3.5 GHz CBRS Magnetic Mount

Key Features

- 3.5 GHz CBRS
- 3300-3600 MHz
- Magnetic Mount
- Low Profile
- Ground Plane Dependent
- Customizable Cable and Connector
- Dimensions 30.9 x 71.5 mm



1. Antenna and electrical specifications

Parameters	3.5 GHz CBRS Antenna
Standards	CBRS, 5G, WIMAX
Band (MHz)	3600
Frequency (MHz)	3300-3900
Return Loss (dB)	~-17.2
VSWR	~1.4:1
Efficiency (%)	~38.9
Peak Gain (dBi)	~2.1
Average Gain (dB)	~-4.1
Impedance (Ohm)	50
Polarisation	Linear
Radiation Pattern	Omni-Directional
Max. Input Power (W)	35
Connector Type	SMA-Male Standard (Other Connectors Available)
Cable Length	300 cm Standard (Any Cable Length Available)
Cable Type	LMR100 Standard (Other Cables Available)

Antenna Measurement Conditions:

Mounted on 30 x 30 cm Metal Plate

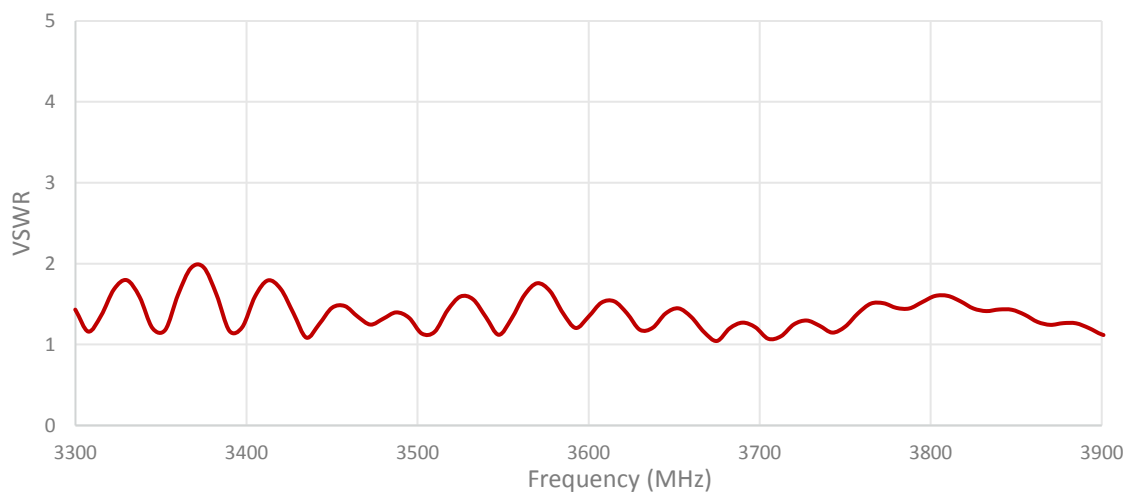
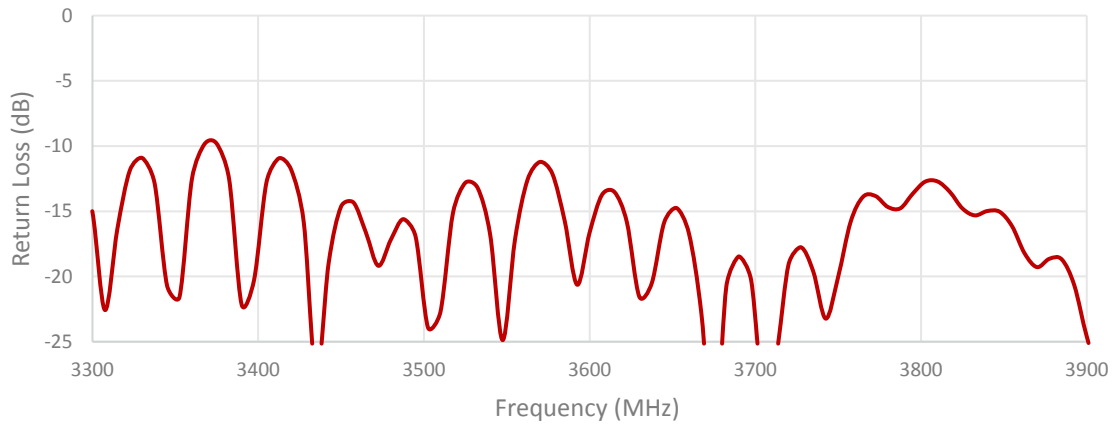
200 cm of Cable LMR100

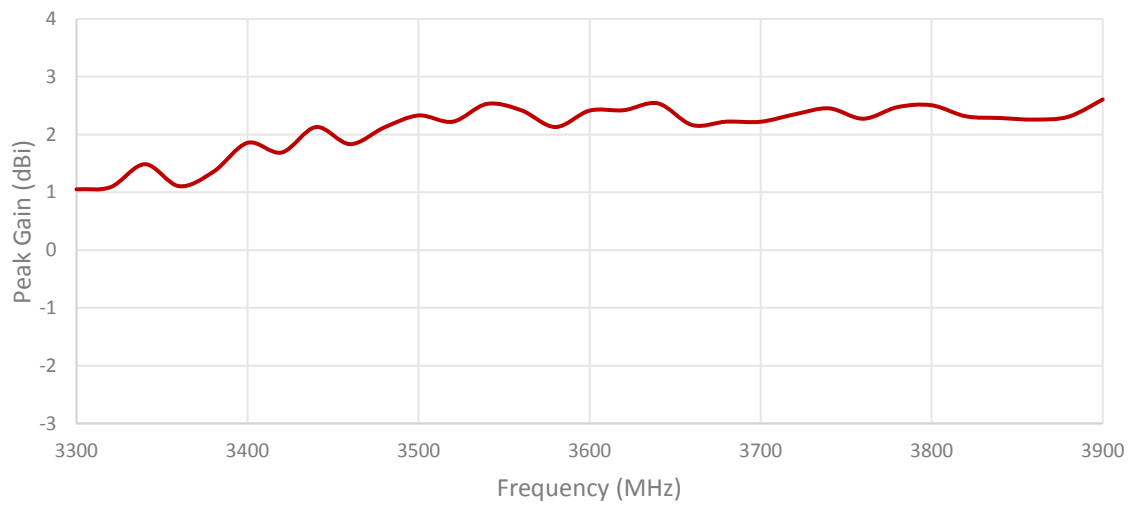
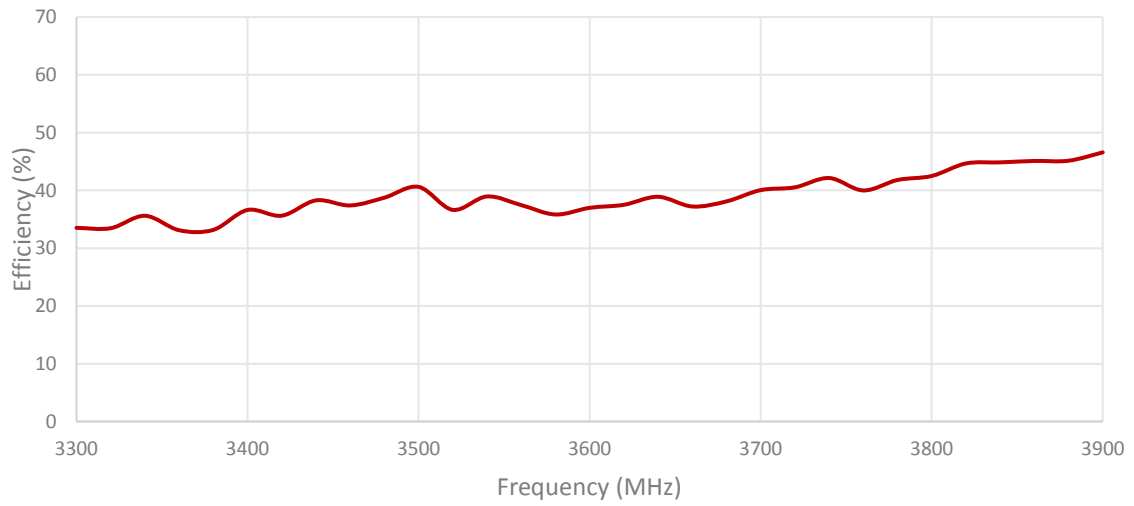
Measured in Certified CTIA 3D Anechoic Chamber

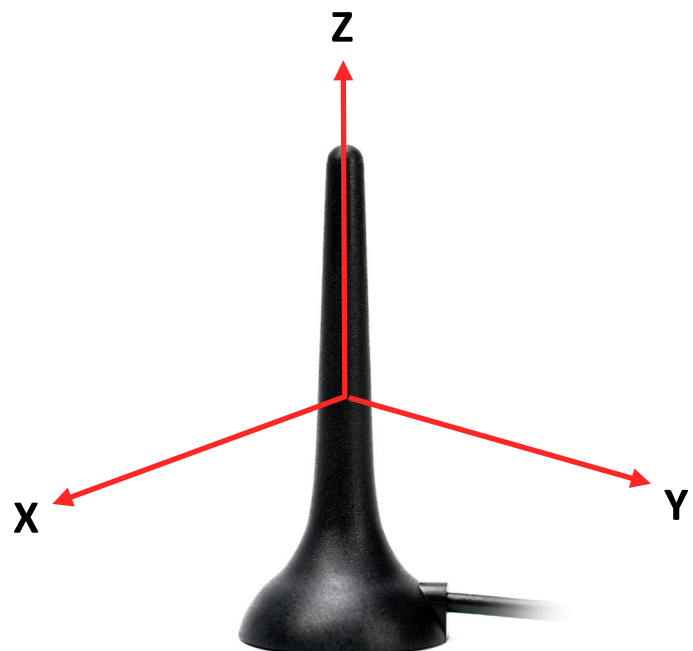
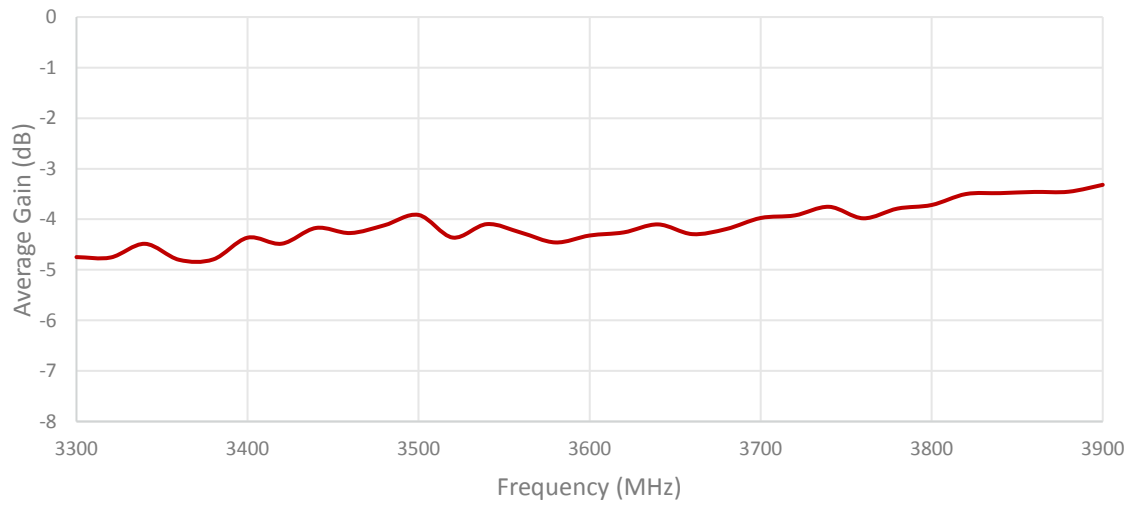
2. Mechanical and environmental specifications

Specifications	PL3757M
Mounting Type	Magnetic Mount
Dimensions (mm)	30.9 × 71.5
Radome	PC/ABS UV Stable
Radome color	Black
Operating Temperature (C)	-40 to +85
Storage Temperature (C)	-40 to +85
Substance Compliance	RoHS

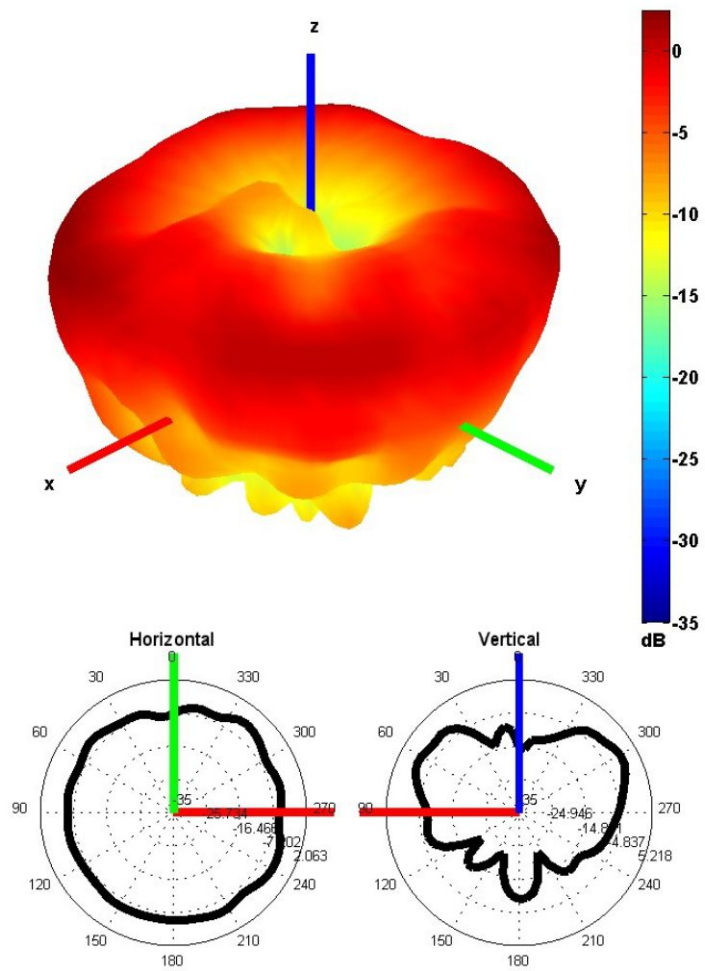
3. Antenna parameters





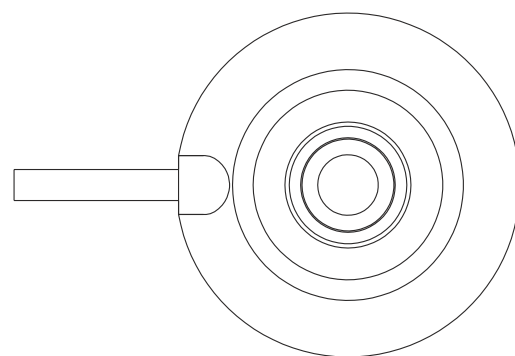
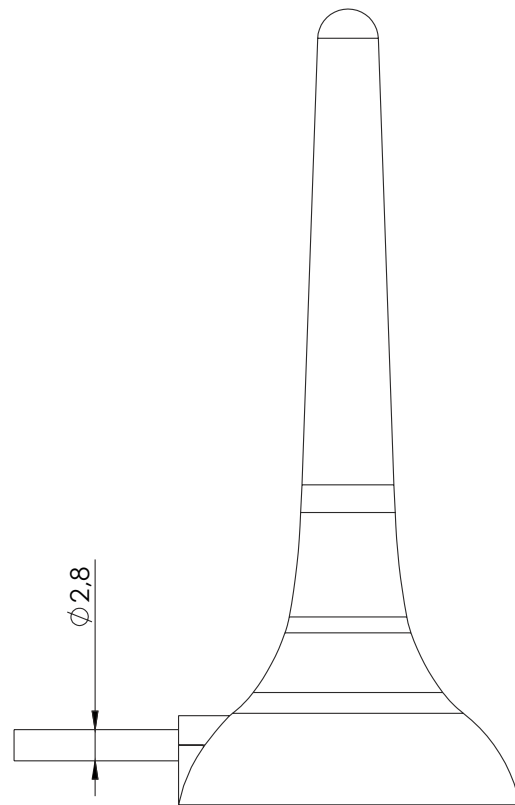
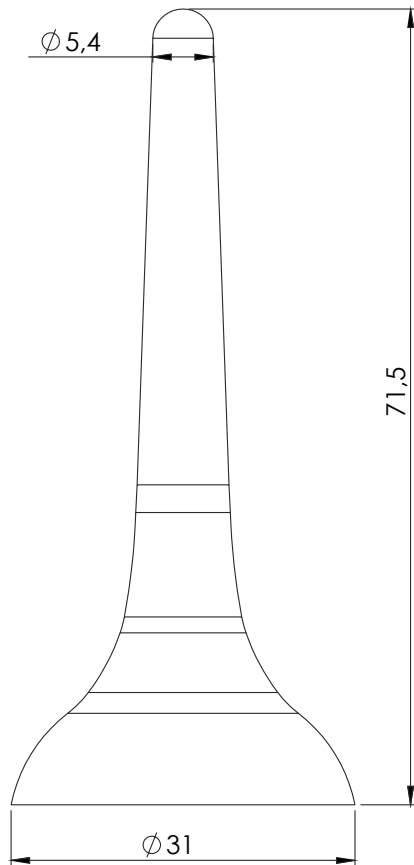


Radiation pattern reference



3600 MHz Radiation pattern

4. Antenna drawings



5. Antenna Images

