

# PL0202 (DATASHEET)

<b>Type</b>	WiFi/Bluetooth antenna
<b>Frequencies</b>	WIFI / BLUETOOTH (2.4 GHz) WIFI (5.0 GHz)
<b>Mounting</b>	Telematic Mount
<b>Revision</b>	00



*Tipul*

P. Tipul

*D. Noble*

D. Noble



## 1. PRODUCT SELECTOR

PL0202-C109N	SMA male R/A connector
PL0202-C20N	SMA male connector
PL0202-C257N	FME female connector
PL0202-C131N	FME female R/A connector

## 2. SPECIFICATION

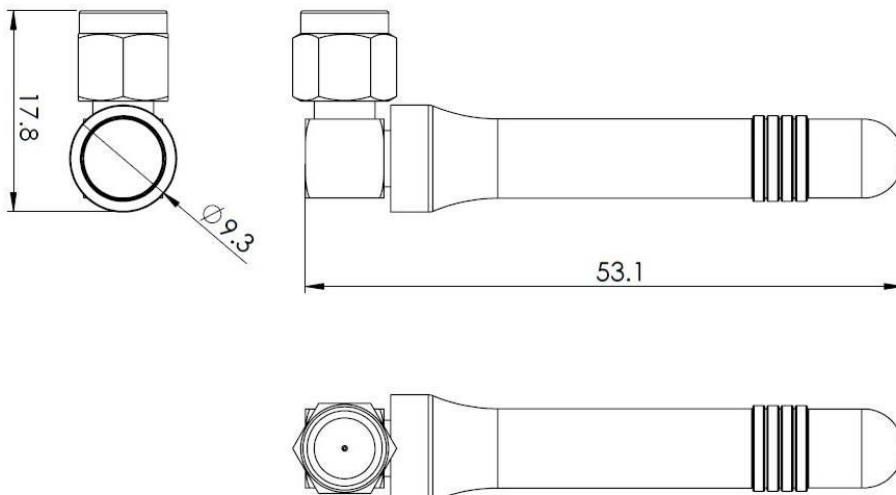
### 2.1. Electrical Specifications

Frequencies	WIFI / BLUETOOTH (2.4 GHz) WIFI (5.0 GHz)
Impedance	50 Ohms
Polarization	LINEAR
Gain	0dBi for 2.4GHz and 2dBi for 5GHz
VSWR	<1.5:1
Power handling	20W
Operating temperature	-40°C to +85°C

### 1.1. Mechanical Specifications and Dimensions

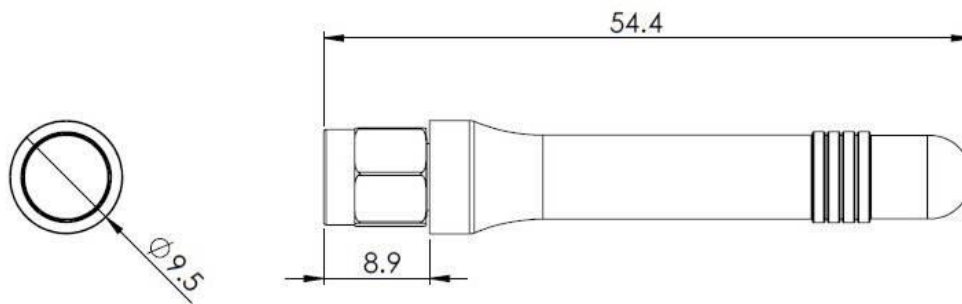
#### 1.1.1. PL0202-C109N

Connector:	SMA male R/A
Material:	TPE
Max. dimensions:	9.3mm x 53.1mm x 17.8mm (D x H x L)
Weight:	7.6 g
Colour:	Black (for different colours please ask our sales team)



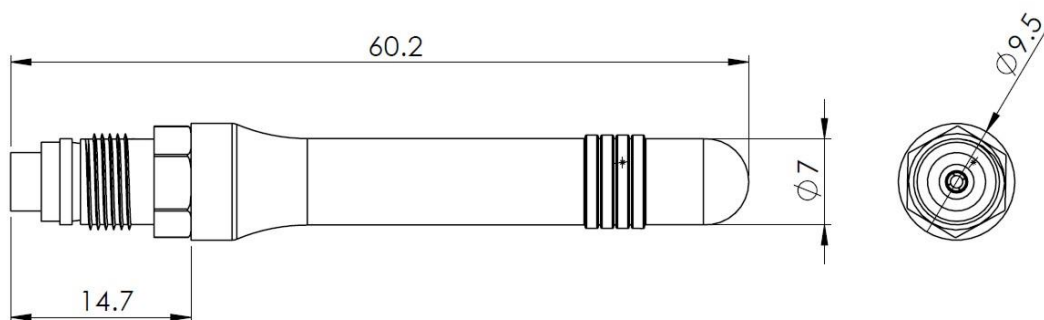
### 1.1.2. PL0202-C20N

Connector:	SMA male
Material:	TPE
Max. dimensions:	9.5mm x 54.4mm (D x H)
Weight:	7.2 g
Colour:	Black (for different colours please ask our sales team)



### 1.1.3. PL0202-C257N

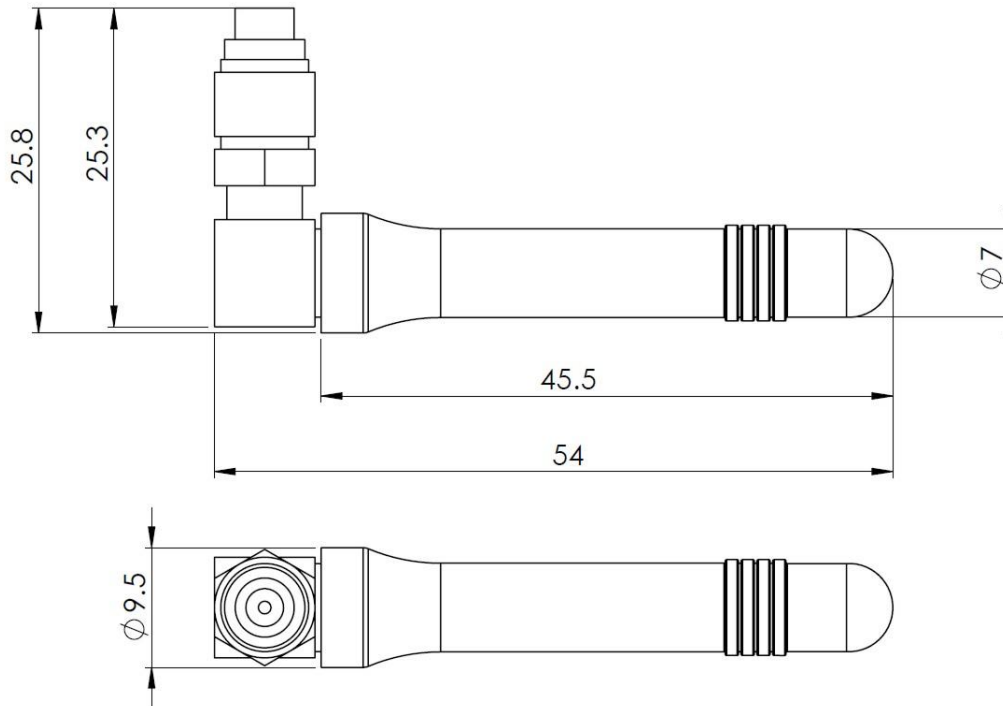
Connector:	FME female
Material:	TPE
Max. dimensions:	9.5mm x 60.2mm (D x H)
Weight:	7.3 g
Colour:	Black (for different colours please ask our sales team)





### 1.1.4. PL0202-C131N

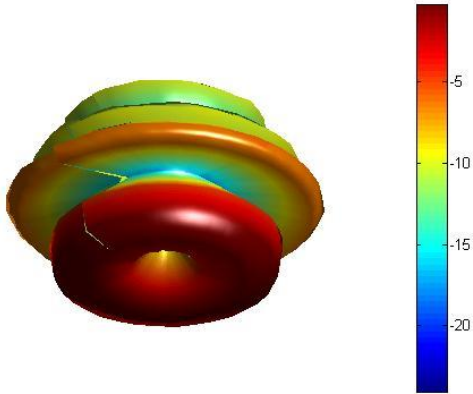
Connector:	FME female R/A
Material:	TPE
Max. dimensions:	9.5mm x 54mm x 25.8mm (D x H x L)
Weight:	7.6 g
Colour:	Black (for different colours please ask our sales team)



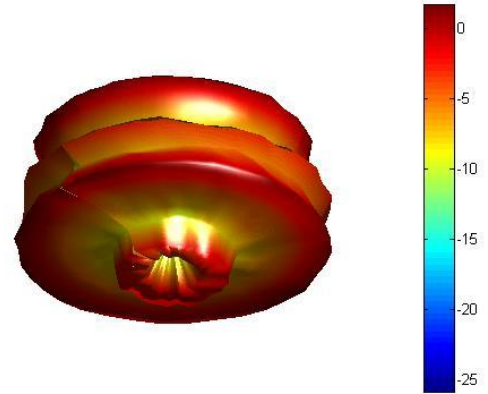
## 2. MEASUREMENT

- Connected straight on VNA S11 connector.

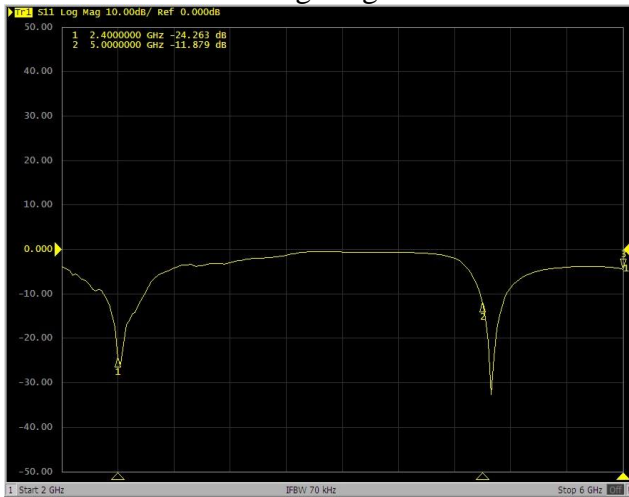
3D radiation pattern 2.4GHz  
 Freq = 2.4GHz Az= 45 EL= -45



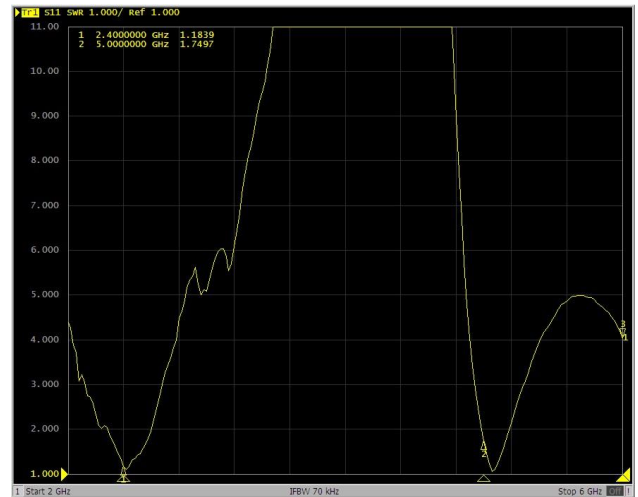
3D radiation pattern 5GHz  
 Freq = 5GHz Az= 45 EL= -45



Log Mag



VSWR



Smith

