

7502Ba

7502Ma

(DATASHEET)

Type	WiFi/Bluetooth antenna
Frequencies	WiFi/Bluetooth (2.4 GHz)
Mounting	7502Ba - Body Mount 7502Ma - Magnetic Mount
Revision	00



1. SPECIFICATION

1.1. Electrical Specifications

Frequencies	WiFi/Bluetooth (2.4 GHz)
Impedance	50 Ohms
Polarization	Linear
Gain	5dBi Max.
VSWR	<2:1
Operating temperature	-40°C to +85°C

1.2. Connection Specifications

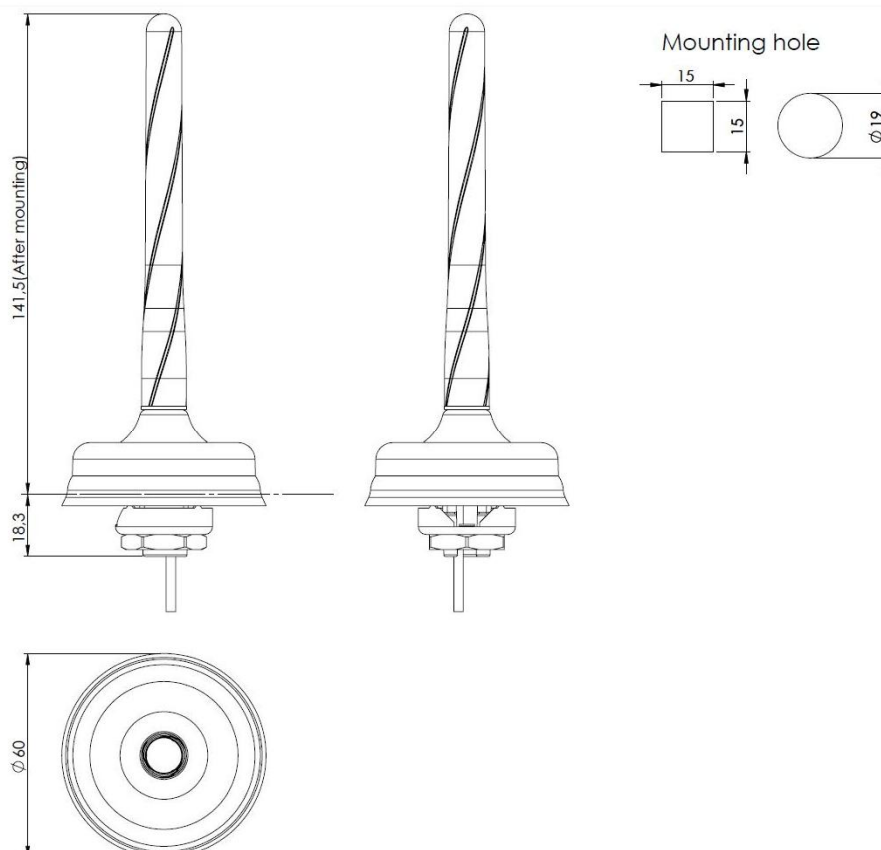
Connector type: SMA
 Cable: RG174U
 Cable length: 250 cm

For different cable length and connector type ask our sales team.

1.3. Mechanical Specifications and Dimensions

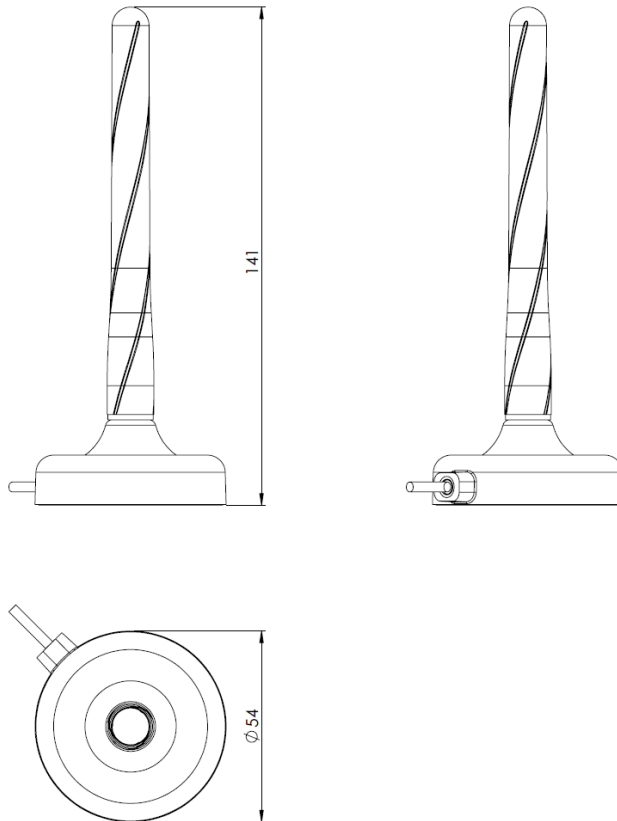
1.3.1. Body mount

Material: Base: Zamak / Lid: ABS / Whip: TPE / Gasket: TPE
 Max. dimensions: 60mm x 141.5mm (D x H)
 Colour: Black (for different colours please ask our sales team)



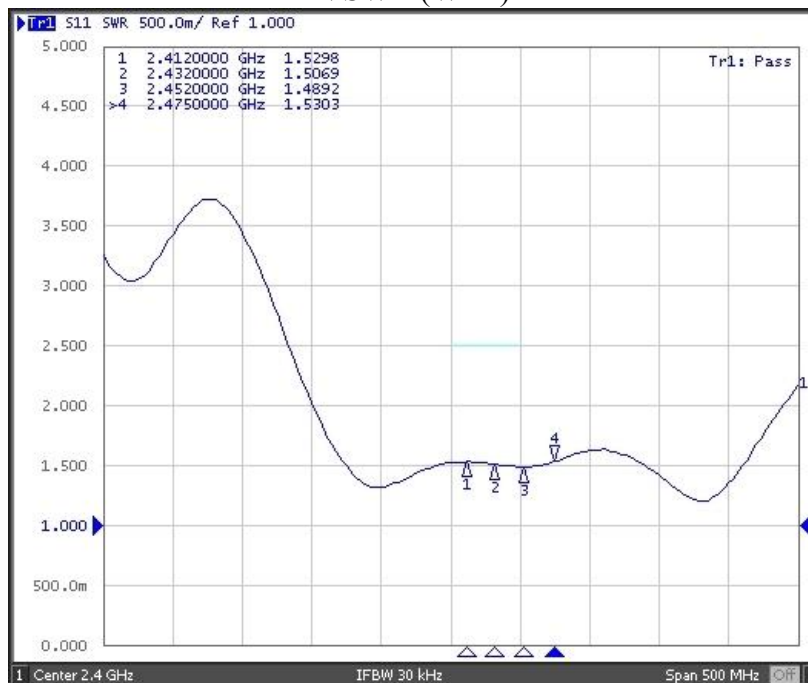
1.1.1. Magnetic mount

Material: Base: Zamak / Lid: ABS / Whip: TPE
 Max. dimensions: 54mm x 141mm (D x H)
 Colour: Black (for different colours please ask our sales team)



2. MEASUREMENT

VSWR (WIFI)



3. IMAGES

