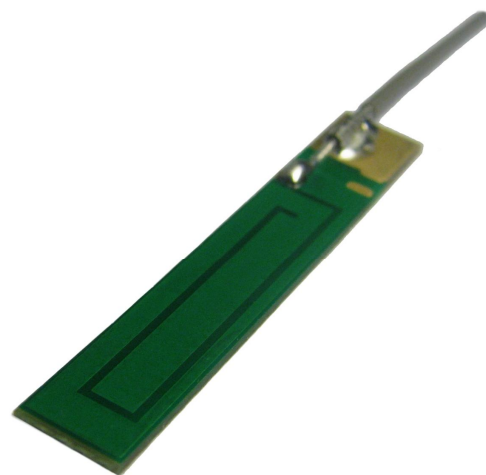


PL-0X5

(DATASHEET)

Type	Dual-band antenna
Frequencies	GSM (900 MHz) DCS (1800 MHz)
Mounting	Embedded
Revision	01

A handwritten signature in black ink, appearing to be "D. Noble".

D. Noble

1. SPECIFICATION

1.1. Electrical Specifications

Frequencies	GSM (900 MHz) DCS (1800 MHz)
Impedance	50 Ohms
Polarization	Linear
Gain	0 dBi
VSWR	<2:1
Power handling	25W
Operating temperature	-40°C to +85°C

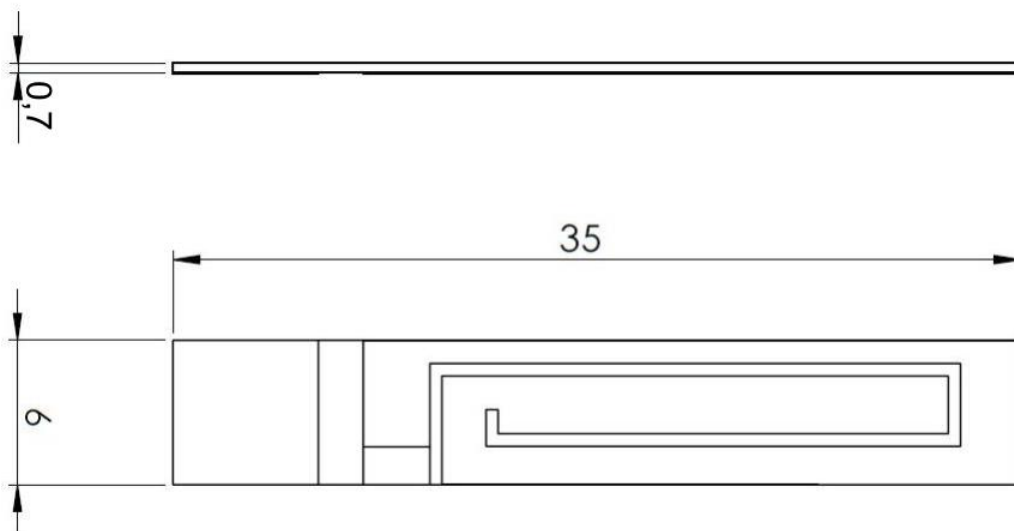
1.2. Connection Specifications

Connector type: U.FL
 Cable: Microcoax 1,13mm
 Cable length: 30 cm

For different cable length and connector type ask our sales team.

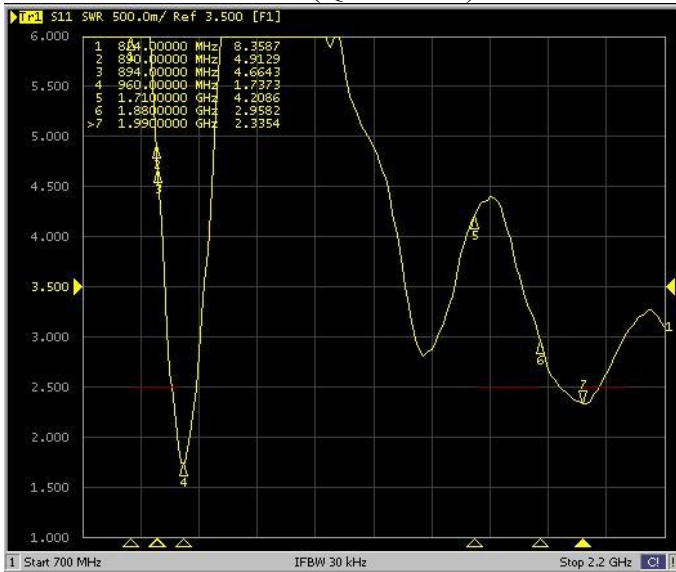
1.3. Mechanical Specifications and Dimensions

Material: FR4
 Max. dimensions: 35mm x 6mm x 0.7mm (L x W x T)
 Colour: Green mask



2. MEASUREMENT

VSWS (Quad Band)

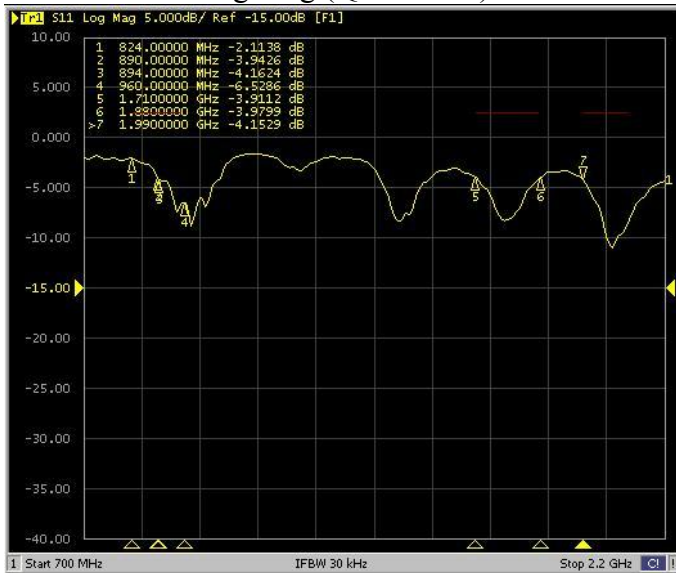


Log Mag (Quad Band)

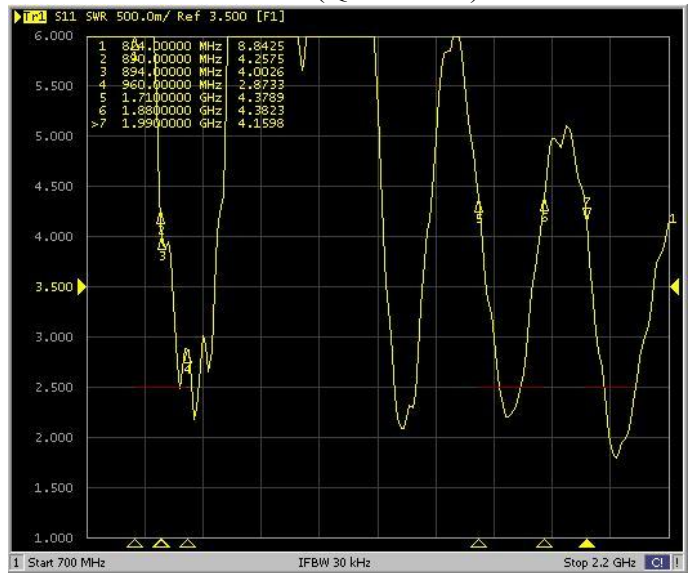


Tested with 30cm cable length - Microcoax 1,13 with U.FL

Log Mag (Quad Band)



VSWS (Quad Band)



Tested with 30cm cable length - RG174 with MMCX male

3. PICTURES

