

PL6524B


PL6524M

(DATASHEET)

Type	LTE antenna
Frequencies	4G/LTE (791-862/1710-2690 MHz) AMPS (824-894 MHz) GSM (900 MHz) DCS (1800 MHz) PCS (1900 MHz) 3G (UMTS 2.1 GHz)
Mounting	B-Body Mount M-Magnetic Mount
Revision	00




P. Tipul


D. Noble



1. SPECIFICATION

1.1. *Electrical Specifications*

LTE (Cable 1)

Frequencies	4G/LTE (791-862/1710-2690 MHz) AMPS (824-894 MHz) GSM (900 MHz) DCS (1800 MHz) PCS (1900 MHz) 3G (UMTS 2.1 GHz)
Impedance	50 Ohms
Polarization	Linear
Gain	5 dBi
VSWR*	<6:1
Power handling	50 W

Environmental

Operating temperature	-40°C to +85°C
Certificates	IP67, IK09

*Values stated when measured on 20x20cm ground plane with 1m cable length

1.2. *Connection Specifications*

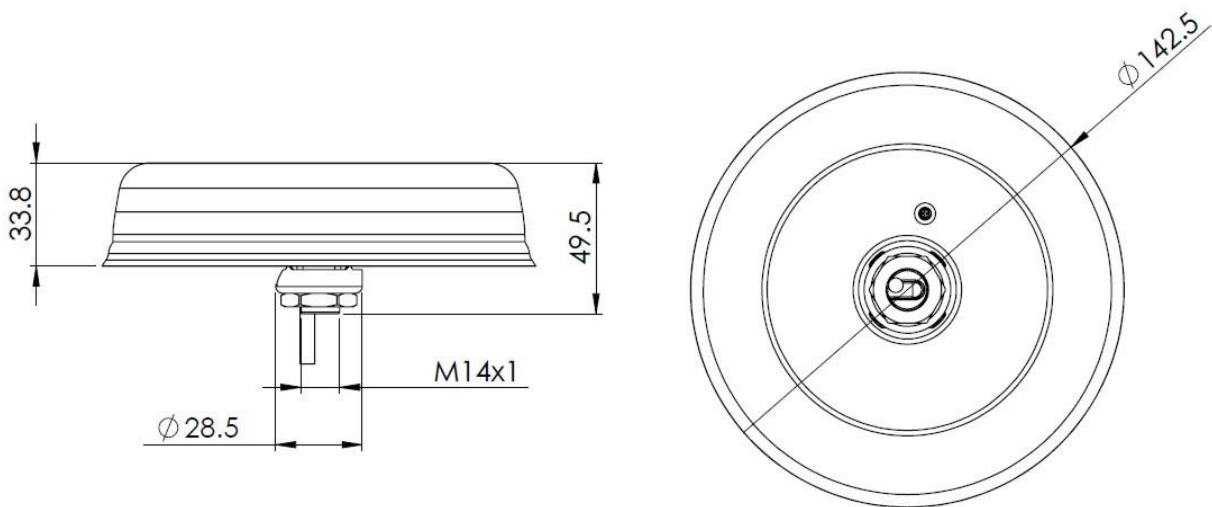
Cable 1 (LTE):
Connector type: SMA male
Cable: RG174
Cable length: 15 cm

For different cable length and connector type ask our sales team.

1.3. Mechanical Specifications and Dimensions

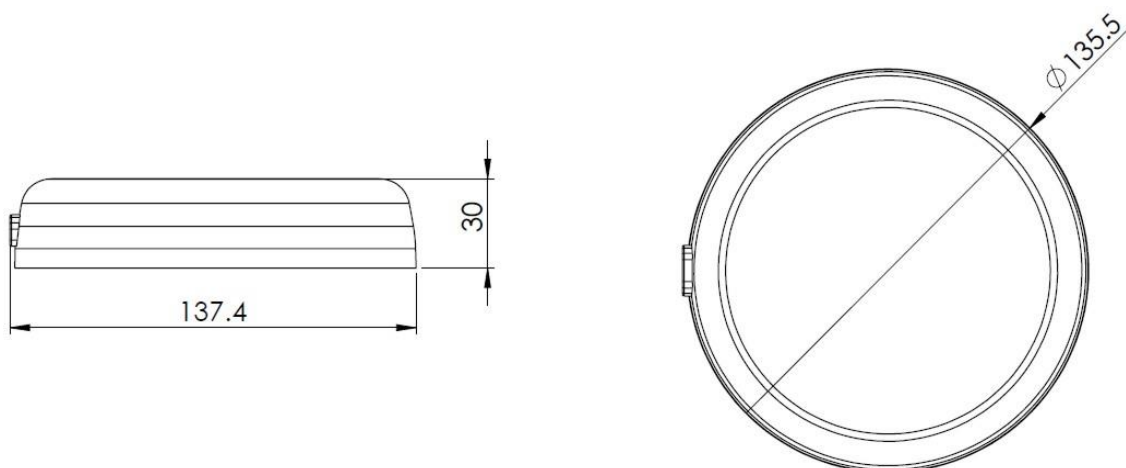
1.3.1.PL6524B

Material:	Lid: ABS / Base: Zamak / Gasket: TPE
Max. dimensions:	146mm x 32mm (when placed on ground-plane)
Colour:	Black/ Green/ White (for different colours please ask our sales team)



1.3.2.PL6524M

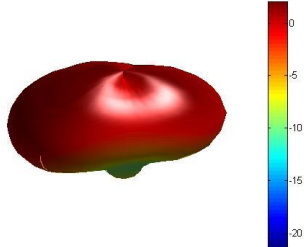
Material:	Lid: ABS / Base: Zamak
Max. dimensions:	135.5mm x 30mm
Colour:	Black/ Green/ White (for different colours please ask our sales team)



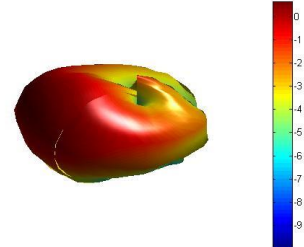
2. MEASUREMENT

2.1. 3D Radiation Pattern

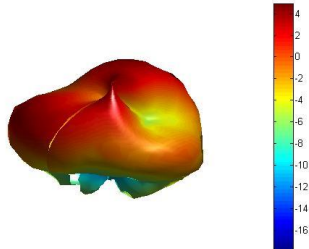
850MHz
Freq = 0.8530GHz Az= 45 EL= 45



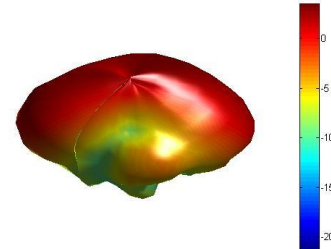
900MHz
Freq = 0.897GHz Az= 45 EL= 45



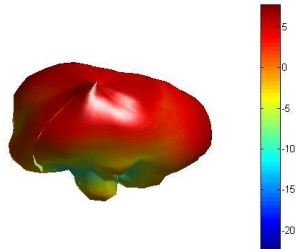
1800MHz
Freq = 1.799GHz Az= 45 EL= 45



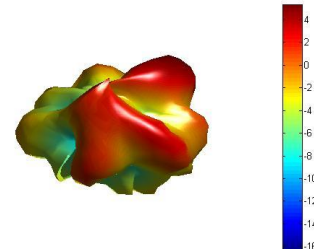
1900MHz
Freq = 1.898GHz Az= 45 EL= 45



2100MHz
Freq = 2.107GHz Az= 45 EL= 45



2600MHz
Freq = 2.602GHz Az= 45 EL= 45



2.2. S11

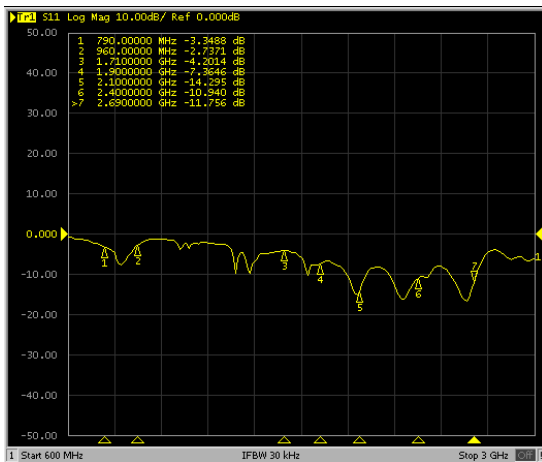


Figure 1 - (S11) Log Mag tested with 15cm RG174

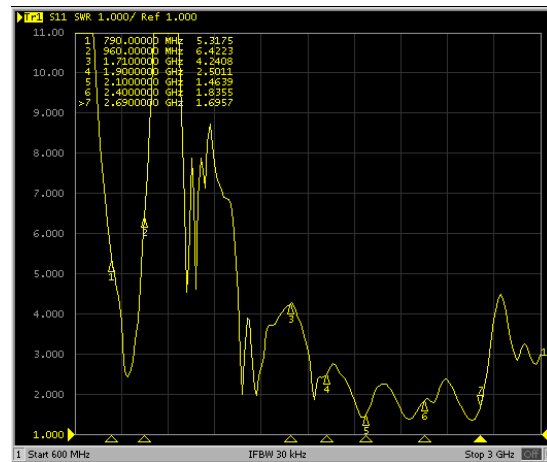


Figure 2 - (S11) VSWR tested with 15cm RG174

3. IMAGES

